

Data sheet

SP129xxVBNF ASP129

Page 1/5

P/N
ASP129xx

xx=number of poles

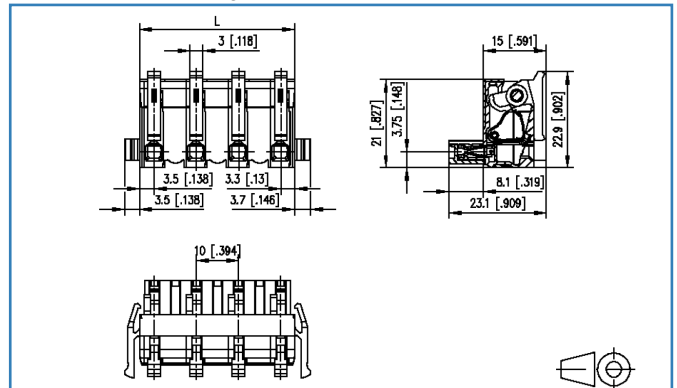
2019/10/30

Version: N

Illustrations



Dimensional drawing





See enlarged drawings at the end of document

Product specification

- spring clamp terminal block, pluggable
- centerline 10.00 mm, direction of connection vertical 0°
- color black, mounting flange
- eccentric lever, wire entry uncodeable side parallel to plug direction



Technical Data

General Data			
min. number of poles	2		
max. number of poles	4		
Insulating material class	CTI 400		
clearance/creepage dist.	11 mm		
protection category	IP20		
Min. insul. strip length	9 mm		
Overvoltage category	III	III	II
Pollution degree	3	2	2
Rated voltage	800 V	1000 V	1000 V
Rated test voltage	8 kV	8 kV	8 kV
Connection Data			
rat.wiring solid AWGmax	0.08 mm ² - 2.5 mm ² / AWG 28 - AWG 12		
rat.wiring strand.AWGmax	0.08 mm ² - 2.5 mm ² / AWG 28 - AWG 12		
Approvals			
 V / A / AWG	300 / 10 / 28 - 12		
approval UL - File No.	E121004		
 2.5 mm ²	630 V / 4 kV / 12 A		
Material			
insulating material	PA66		
flammability class	V0		
spring material	Spring steel		
contact material	CuSn		
contact surface	Sn		
Glow-Wire Flammability GWFI	960 °C acc. to IEC 60695-2-12		
Glow-Wire Flammability GWIT	775 °C acc. to IEC 60695-2-13		
Climatic Data			
upper limit temperature	105 °C		
lower limit temperature	-30 °C		
General			
Tolerance	ISO 2768 -mH		

© 2019 METZ CONNECT - Technische Änderungen vorbehalten! Subject to modifications! Sous réserve de modifications techniques!

Accessories

P/N	Designation
700025-01-9	700025

© 2019 METZ CONNECT - Technische Änderungen vorbehalten! Subject to modifications! Sous réserve de modifications techniques!



Data sheet SP129xxVBNF ASP129

Page 4/5

P/N
ASP129xx
xx=number of poles
2019/10/30
Version: N

Counterpart

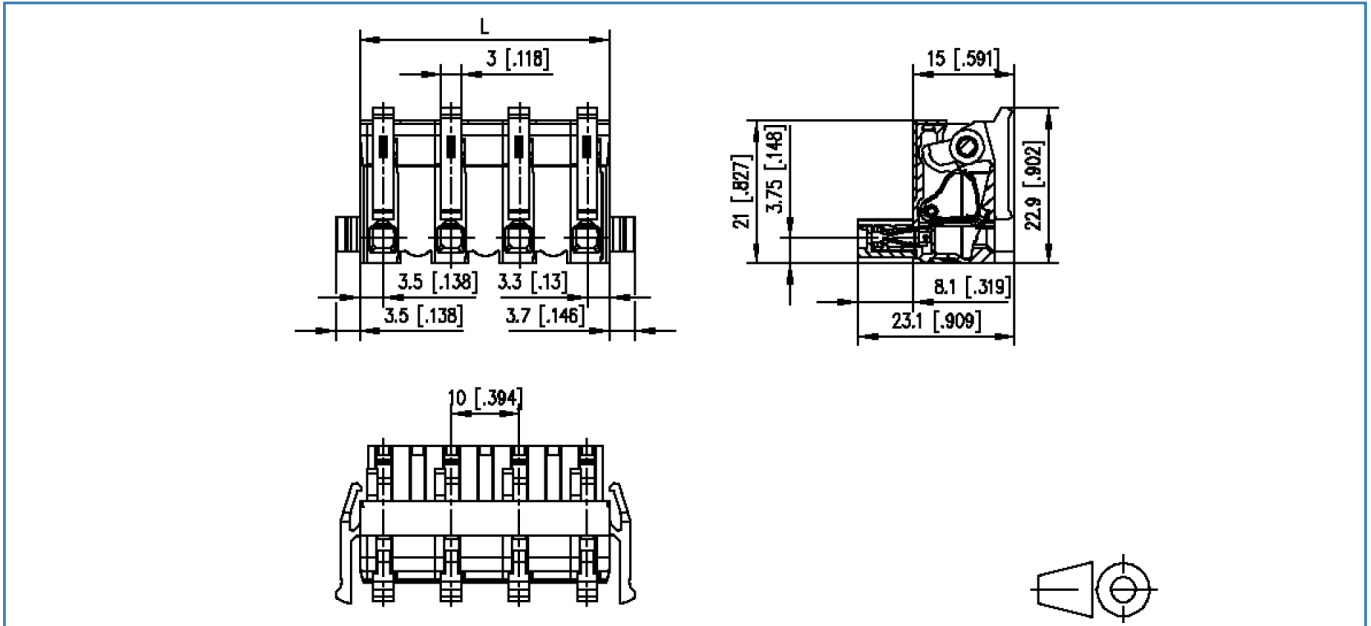
P/N	Designation
313352XX-000210	STL 335, RM10 PT119xxVBBF0210
313362XX-000190	PT119xxHBBF0190 Type 336

© 2019 METZ CONNECT - Technische Änderungen vorbehalten! Subject to modifications! Sous réserve de modifications techniques!



Illustrations

Dimensional drawing



$L = (\text{pole size} - 1) \times \text{centerline} + 6.8 \text{ mm} [0.268]$

© 2019 METZ CONNECT - Technische Änderungen vorbehalten! Subject to modifications! Sous réserve de modifications techniques!

